

# ROMASTOR

*#1 in Rotating Forks*



**Highly safe, efficient  
and cost saving rotating fork  
carriage for material lifting**

360° full & continuous rotation • Save up to 50% in work time and space  
Perfect on construction sites, film sets, in dense cities • Fits all telehandlers • Plug & Play  
Easy attachment • CE-certified and homologated by telehandler manufacturers

## Making pallet lifting safe and efficient

Approved and homologated by telehandler manufacturers. ROMASTOR Fork Carriage can make a horizontal, **continuous rotating** movement of **360 degrees left and right** and is therefore extremely effective and multi usable in construction, rental, industrial, agricultural, film industry and logistical areas.



**360 degrees  
rotation**

## Versatile, cost saving and sustainable

ROMASTOR, a **versatile** lifting attachment, not only a **green, sustainable** solution, it is **highly efficient and cost saving**, since it only needs **half of the usual required space**, in just a **fraction of the usual time**. ROMASTOR can lift and handle (wide/long) products in **all directions** up to a **stunning 5.000 kg!**



Versatile • Handles wide/long materials • Reach anywhere • Also into difficult openings  
Save up to 30% man-hours • Save up to 20% in fuel consumption • less maneuvers



---

## Award winning Attachment

The patented ROMASTOR rotating fork carriage was awarded with the prestigious POTENCIA award, for **Best Attachment**



---

POTENCIA award



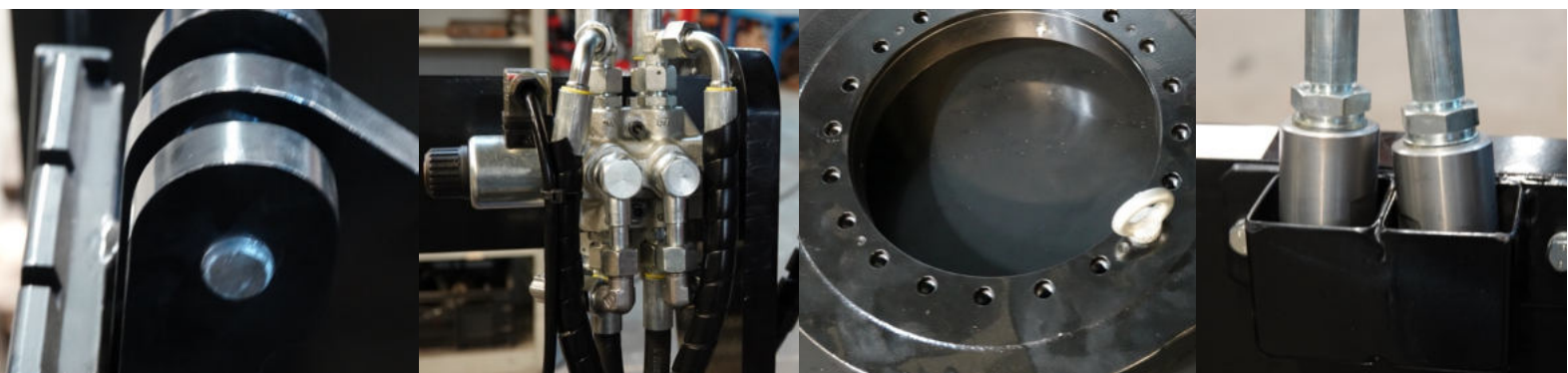
---

Receiving the award for Best Attachment

## Tough Quality

### Highest standard quality 2-year warranty

Only the highest quality materials are used to build a ROMASTOR, strong S355 steel, German slew drives and hydraulic motors. Homologated and certified by telehandler manufacturers, TÜV-Netherlands and the Ministry of Labor, Health & Safety of the Netherlands. Each ROMASTOR is rigorously tested and comes with a 2-year limited manufacturer's warranty.



---

## ROMASTOR Support

As a manufacturer, we believe that providing service to both end users and dealers is very important. If you have a technical question or need support in relation to your ROMASTOR?

✉ info@rrvp.nl  
☎ +31-13 511 50 70

**ROMASTOR**   
#1 in Rotating Forks

## ROMASTOR rotating fork carriage models

For every type of work there is a ROMASTOR. Unlock the full potential of your telehandler with 360 degrees rotational.



### ROMASTOR 2.5T BASIC®

Lifts and rotates **2.500 kg\***, **360 degrees** continuous horizontally, in any direction. Multi-usable for pallets and long/wide materials. Standard with 1.200 mm FEM carriage and 1.200 mm forks. Higher capacity:

- \* **ROMASTOR XL® 4.0T - lifts 4.000 kg**
- \* **ROMASTOR XXL® 5.0T - lifts 5.000 kg**

Also available with:

- Extra-long forks
- Extra-wide FEM carriage
- Load backrest grid for load protection
- Hydraulic fork positioner/spreader.



### ROMASTOR 2.5T TILT®

Lifts and rotates **2.500 kg**, **360 degrees** horizontally, in any direction and **tilts** full pallets of drywall, solar panels, cladding and other materials up to **70 degrees**. Lift a pallet of drywall straight into a structure! Slide the materials off the forks with the **Glider®** easy material gliding plate. Standard with 1.200 mm FEM carriage and 1.200 mm forks. High capacity: \* **ROMASTOR 4.0T TILT®**  
\* **ROMASTOR 5.0T TILT®**

Also available with:

- Extra-long forks
- Hydraulic fork positioner/spreader.



### ROMASTOR 3-D®

Lifts and rotates **2.500 kg**, full pallets **360 degrees horizontally** and **vertically in any direction!** Easily **lift and turn in 3-D** full pallets, straight into a window! Also ideal on the **film set**, for special effects, holding big green screens and lighting the set with big lighting boxes! Including **Hydraulic fork spreader**. Safe handling of narrow and wide materials instantly, without having to leave the seat of your cab. Standard with 1.200 mm FEM carriage and 1.200 mm forks.

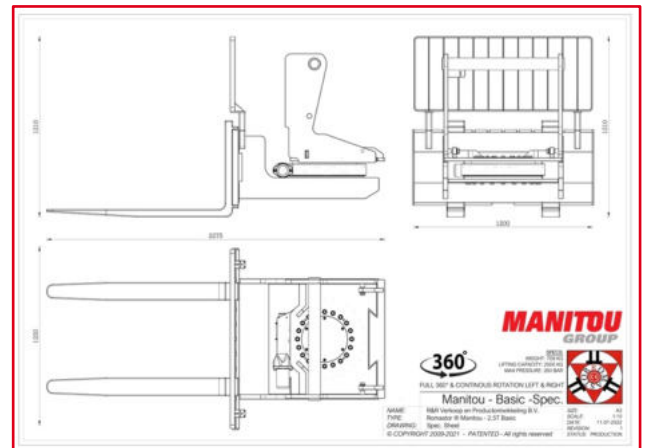
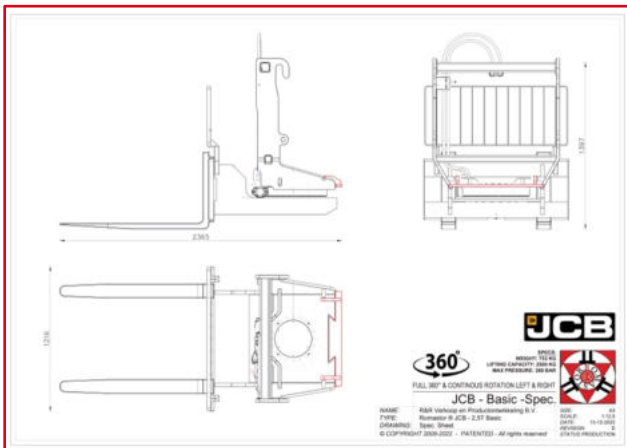
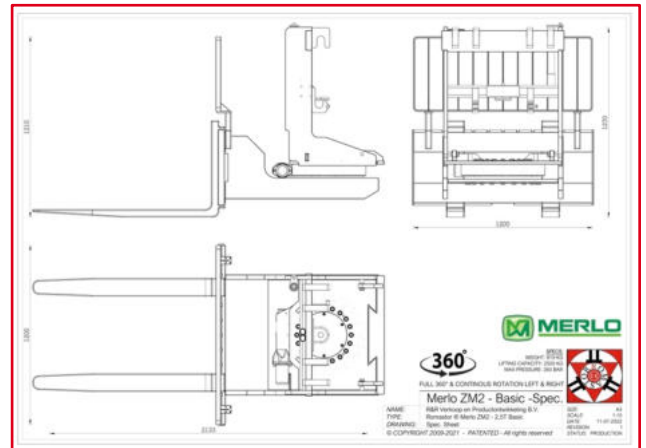
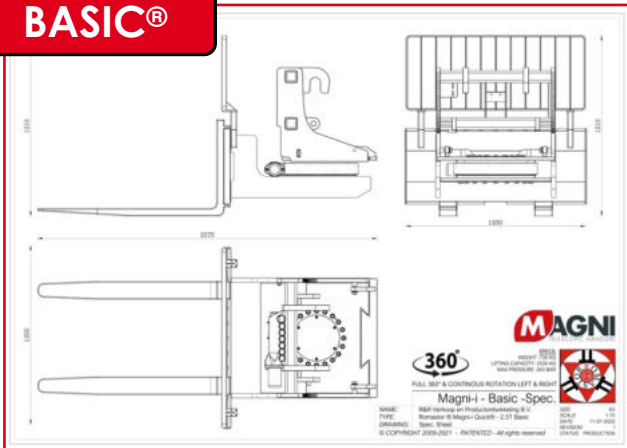
**ROMASTOR®** *unlocks the full potential of your telehandler*



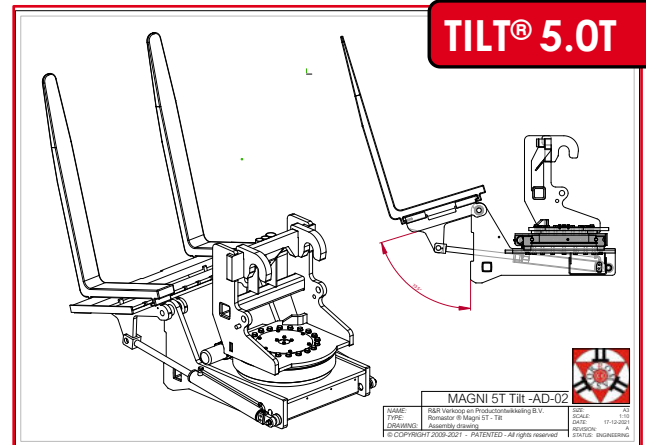
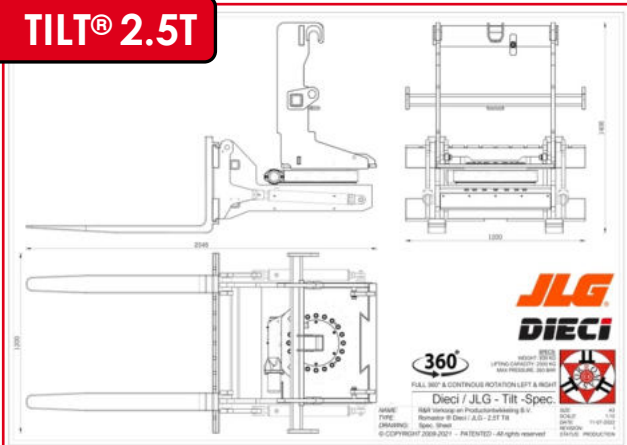
# ROMASTOR rotating fork carriage spec sheets

ROMASTOR is available in over **139 configurations**, for all brands and types of telehandlers. Here are the technical specs of some of our models.

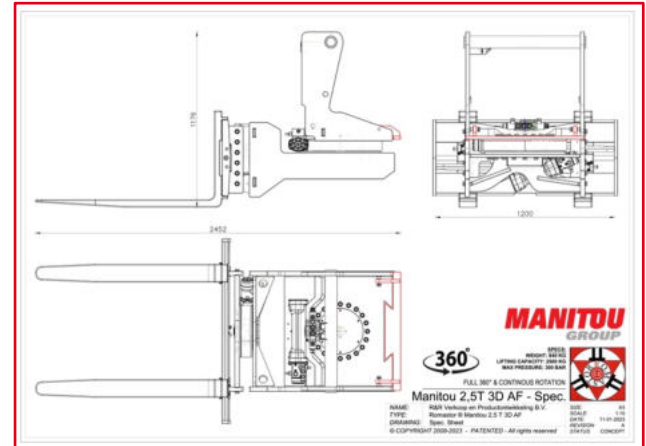
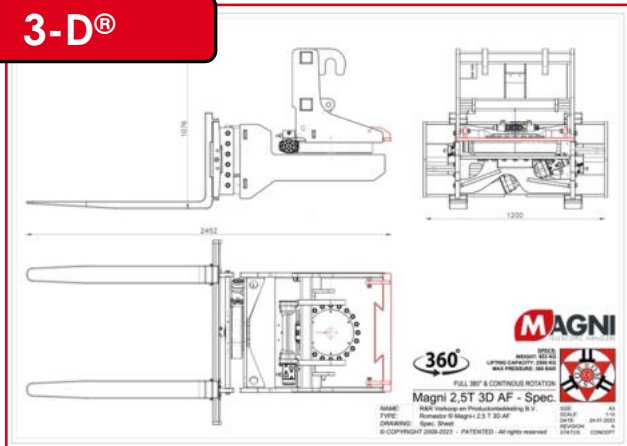
## BASIC®



## TILT® 2.5T



## 3-D®





# ROMASTOR

*#1 in Rotating Forks*



## ROMASTOR Rotating Forks

R & R Verkoop en Productontwikkeling B.V.  
Oude Bosschebaan 21  
5074 RC Biezenmortel  
The Netherlands

+31-13 511 50 70

info@rrvp.nl

www.romastor.nl

Fast and safe handling of materials • Reach anywhere • Plug & Play solutions for all Telehandlers  
Minimal required working space • Save considerable time and money • Full factory support